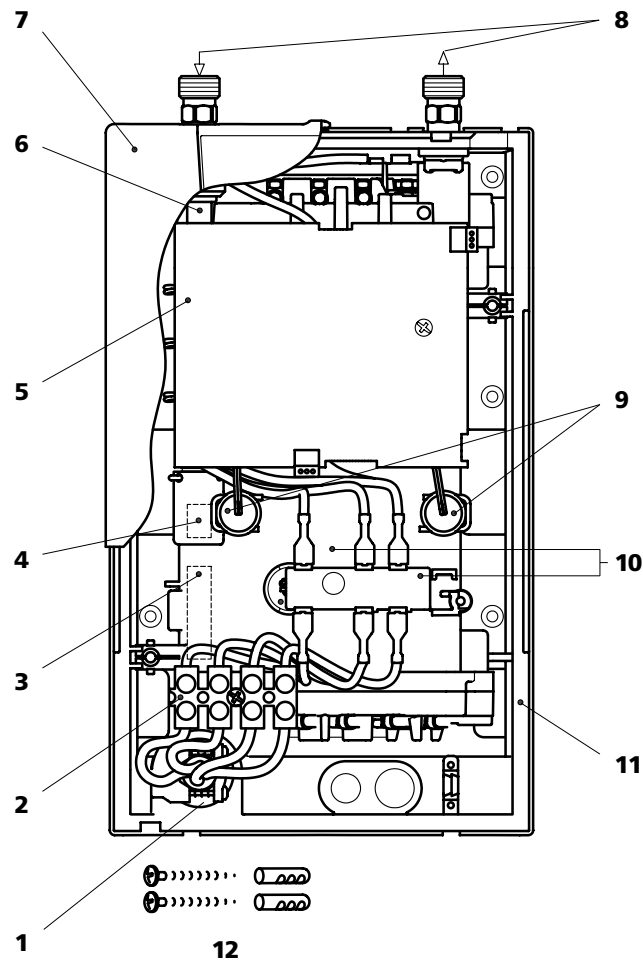


# Instantaneous water heater CFX-U



Pos.	Art.-No.	Description	Euro*	Pos.	Art.-No.	Description	Euro*
1	82806	Grommet	2.00	7	82900	CFX hood	17.00
2	86250	Connection terminal	4.00	8	82807	Connection piece 3/8"	14.00
3	82819	Flow sensor	14.00	9	82512	Thermal sensor set	25.00
4	82246	Back flow preventer	4.00	10	82808	Heating element CEX / CFX	115.00
5	82803	PCB CEX / CFX	90.00	11	82809	Bottom part	16.00
6	82802	Inlet pipe	9.00	12	82817	Set of small parts	3.50

When ordering, please always specify the appliance model and serial number from the rating plate. Further spare parts on request.

CLAGE GmbH  
 Pirolweg 1-5, 21337 Lüneburg  
 P.O. Box 1680, 21306 Lüneburg  
 Fon: +49 (0)41 31 · 89 01-0  
 Fax: +49 (0)41 31 · 83200  
 E-mail: export@clage.de

Service:  
 Fon: +49 (0)41 31 · 89 01-40  
 Fax: +49 (0)41 31 · 89 01-41  
 E-mail: service@clage.de  
 Internet: www.clage.de