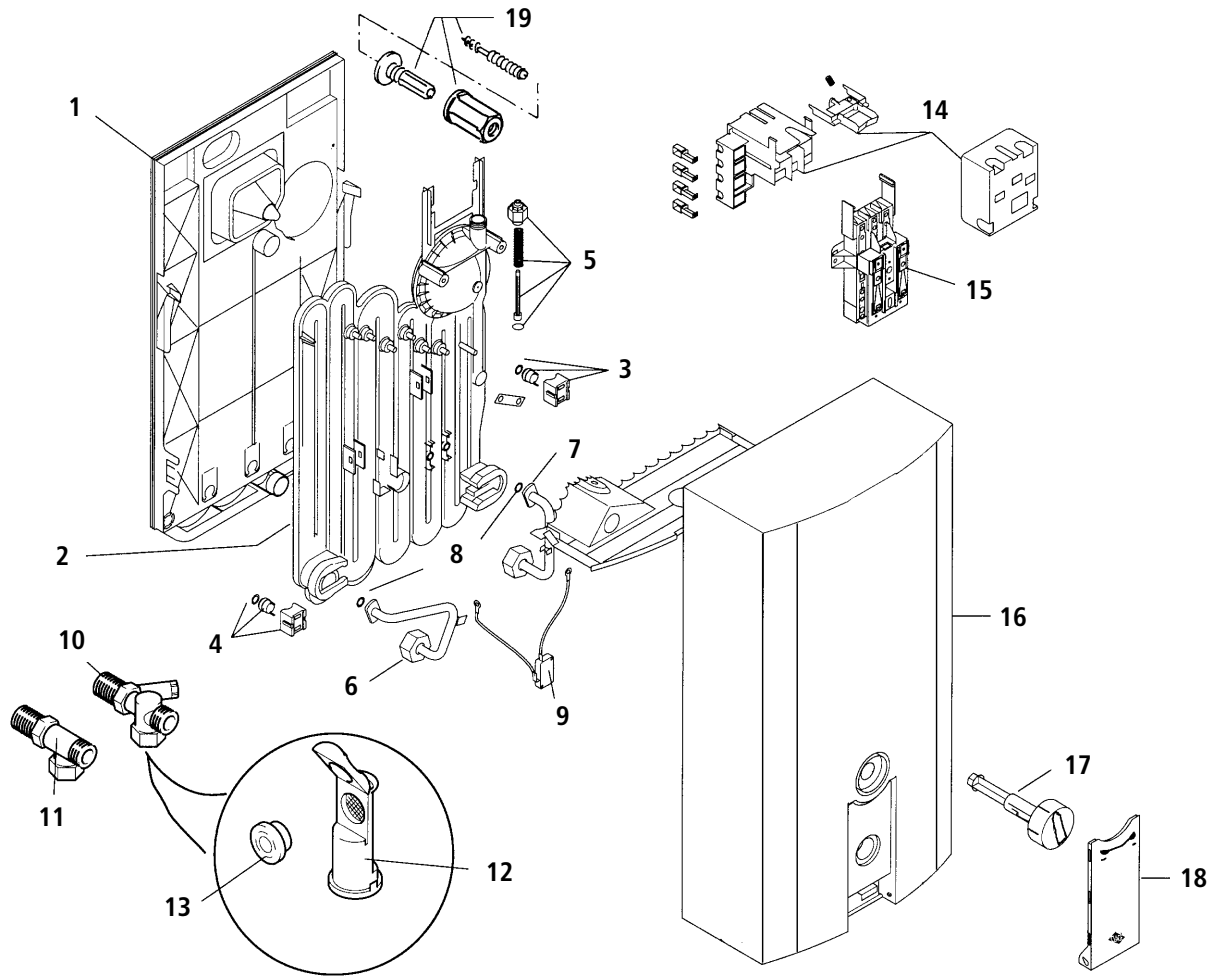


# Instant multipoint water heaters DB 13..24



Pos.	Art.-No.	Description	Euro*	Pos.	Art.-No.	Description	Euro*
1	83810	Bottom part	20.00	11	83930	Outlet connecting sleeve	17.00
2	<b>83820</b>	DB 13 heating cartridge 13.2 kW / 400 V	81.00	12	<b>83940</b>	Fine filter	4.00
	<b>83822</b>	DB 18 heating cartridge 18 kW / 400 V	82.00	13	<b>83590</b>	DB 13-18 flow reducer	7.00
	<b>83824</b>	DB 21 heating cartridge 21 kW / 400 V	83.00		<b>83591</b>	DB 21 flow reducer	7.00
	<b>83836</b>	DB 24 heating cartridge 24 kW / 400 V	84.00		<b>83592</b>	DB 24 flow reducer	7.00
3	<b>83850</b>	Temperature regulator. inlet	13.00	14	<b>83950</b>	Safety switch	56.00
4	<b>83860</b>	Temperature regulator. outlet	13.00	15	<b>83960</b>	Circuit switch, upper part	133.00
5	83870	Control bucket tappet	13.00	16	83970	Appliance hood	87.75
6	83880	Hot water outlet pipe	13.00	17	83972	Rotary knob	11.00
7	83890	Cold water inlet pipe	13.00	18	83976	Small cover lid	11.00
8	83900	Joint for cold inlet/hot outlet pipes	1.00	19	83980	Fixing set	7.00
9	<b>83910</b>	Power selector switch	13.00				
10	83920	Inlet connecting sleeve	17.00				

Parts in **bold type** are key components for servicing purposes.

When ordering, please always specify the appliance model and serial number from the rating plate. Further spare parts on request.

CLAGE GmbH  
 Pirolweg 1-5, 21337 Lüneburg  
 P.O. Box 1680, 21306 Lüneburg  
 Fon: +49 (0)4131 · 8901-38  
 Fax: +49 (0)4131 · 83 200

Service:  
 Fon: +49 (0)4131 · 8901-40  
 Fax: +49 (0)4131 · 8901-41  
 E-mail: [service@clage.de](mailto:service@clage.de)  
 Internet: [www.clage.com](http://www.clage.com)