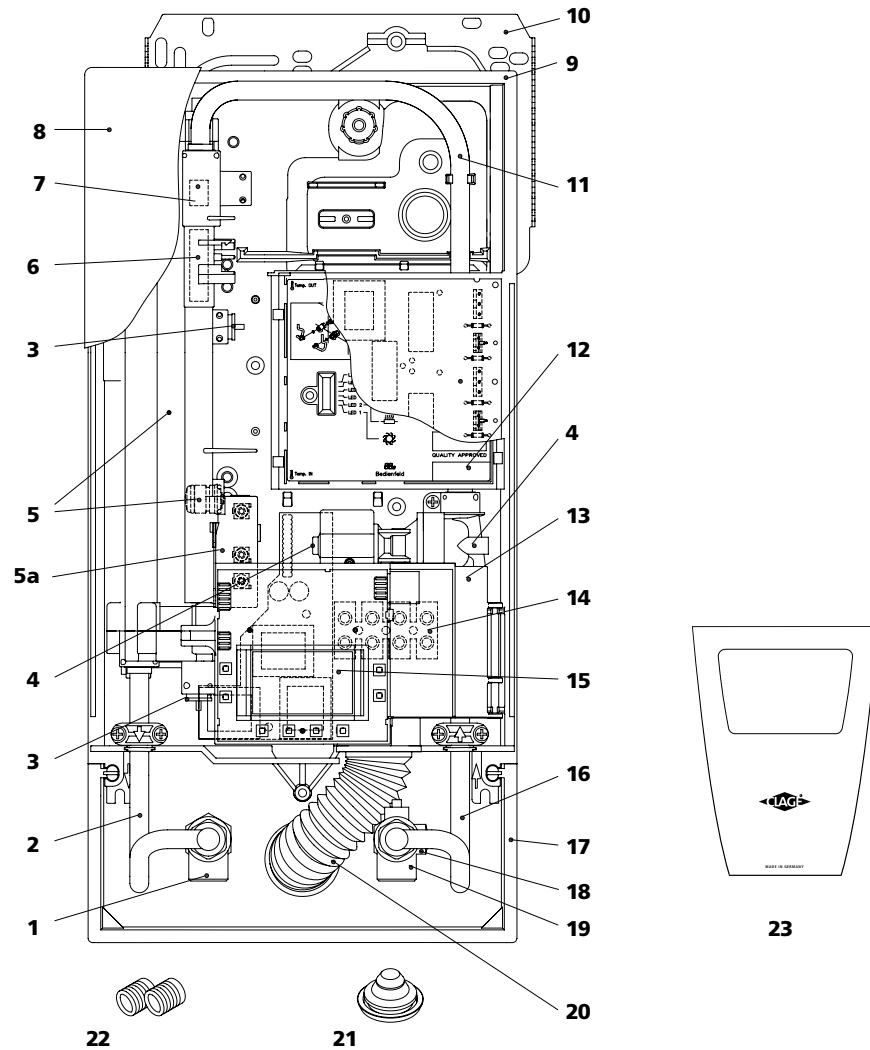


# Instantaneous water heater DSX



Pos.	Art.-No.	Description	Euro*	Pos.	Art.-No.	Description	Euro*
1	82085	Hot water connection	25.00	15	82551	DSX control panel	65.00
2	82529	Outlet pipe	12.00	16	82531	Inlet pipe	15.00
<b>3</b>	<b>82512</b>	DSX / DEX thermal sensor set	25.00	17	82571	Frame	6.00
4	82585	Servomotor with electronic	99.00	<b>18</b>	<b>82162</b>	Fine filter	5.00
5	82537	Heating element with pressure switch	on demand	19	82074	Cold water connection	25.00
<b>6</b>	<b>82526</b>	Flow sensor	14.00	20	82060	Water splash protection sleeve	5.00
<b>7</b>	<b>82246</b>	Non-return valve	6.00	21	82180	Grommet	2.00
8	82503	DSX hood	25.00	22	82110	Screw-in nipples 1/2"	4.00
9	82505	Bottom part	15.00	23	82504	Faceplate	7.00
10	82520	Wall bracket	5.00				
11	82590	DSX connecting pipe	10.00	not shown:			
12	82580	PCB cover	5.00	24	82598	Set of small spare parts	10.00
13	82573	Control panel support	5.00				
14	82572	Connecting terminal	4.00				

Parts in **bold type** are key components for servicing purposes.

When ordering, please always specify the appliance model and serial number from the rating plate. Further spare parts on request.

CLAGE GmbH  
 Pirolweg 1-5, 21337 Lüneburg  
 P.O. Box 1680, 21306 Lüneburg  
 Fon: +49 (0)41 31 · 89 01-0  
 Fax: +49 (0)41 31 · 83200  
 E-mail: export@clage.de

Service:  
 Fon: +49 (0)41 31 · 89 01-40  
 Fax: +49 (0)41 31 · 89 01-41  
 E-mail: service@clage.de  
 Internet: www.clage.de