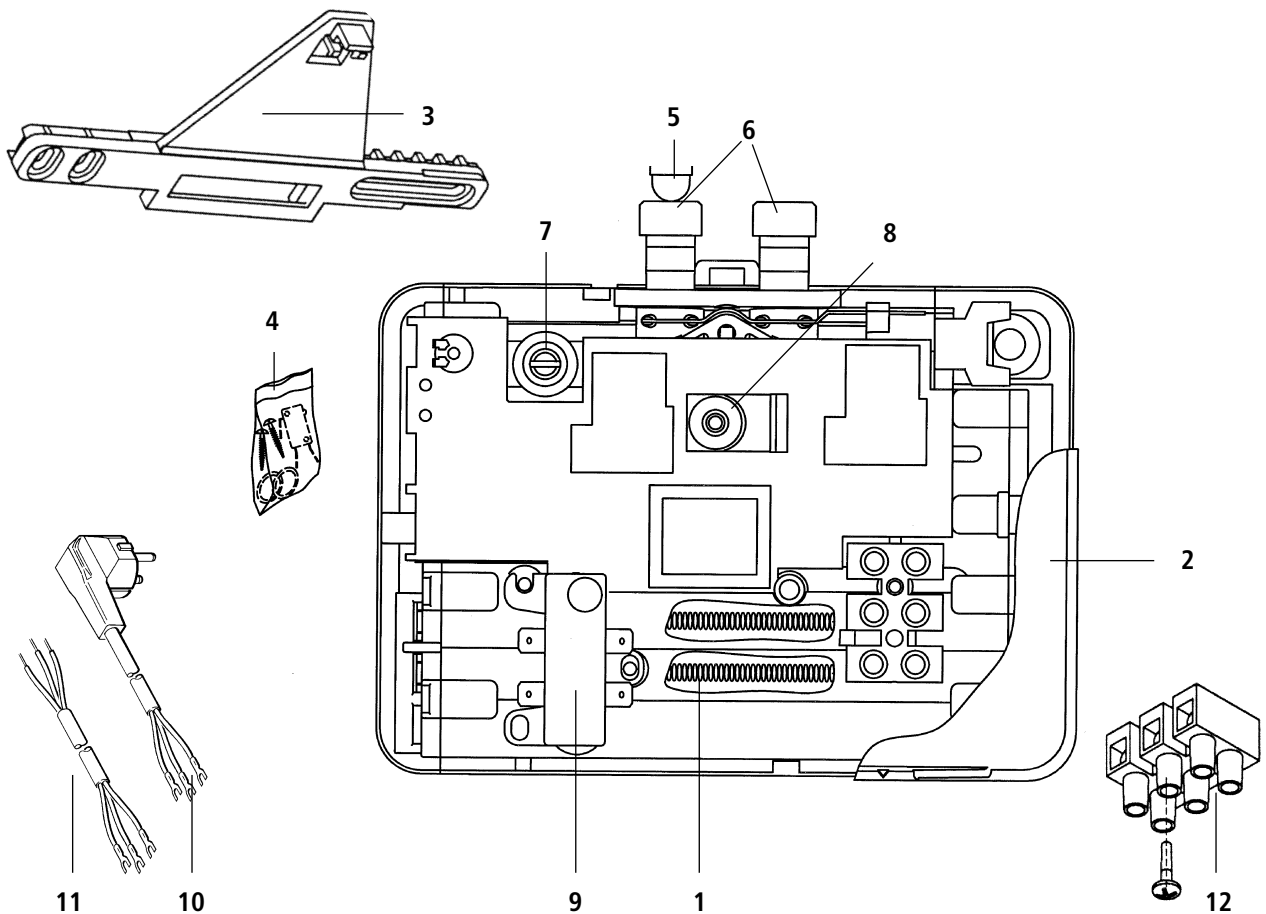


Mini instantaneous water heaters MDX 3..7



Pos.	Art.-No.	Description	Euro*	Pos.	Art.-No.	Description	Euro*
1	80324	MDX 3 heating spirals 3.5 kW /230V	20.00	8	86072	Temperature sensor	14.50
	80326	MDX 4 heating spirals 4.4 kW /230V	20.00	9	80427	MDX safety thermal cut-out incl. exchange instruction, contact nipples, seals (mounted and greased), heat conductor paste, rubber disc and screws	25.00
	80327	MDX 6 heating spirals 2 x 2.85 kW /230V	25.00	10	80373	MDX mains cable with earthed plug, cable seal, strain relief with screws	10.00
	80328	MDX 7 heating spirals 2 x 3.25 kW /400V	25.00	11	80382	MDX mains cable (without plug), cable seal, strain relief with screws	10.00
2	80699	MDX front cover	13.00	12	80120	MDX 3pole connection terminal 230 V	4.00
3	80352	MDX complete fixing set (wall bracket with screws and dowels)	8.00		80125	MDX 3pole connection terminal 400 V	4.00
3	80689	Wall bracket MDX	5.00	13	80391	Instruction manual set with available languages	0.00
4	80353	MDX set of small spare parts KES (seals, nozzle for cable entry, insulating srew joint, installation grease, screws, wheel nut & discs)	12.00				
5	80080	MDX filter sieve (fine filter)	3.00				
6	80354	MDX water connection set incl. two water connectors and seals (mounted and greased), fastening earth clip and filter sieve	14.00				
7	80372	MDX flow adjustment screw with seal 3.5 / 4.4kW	6.00				
	803721	MDX flow adjustment screw with seal 5.7 / 6.5kW	6.00				

Parts in **bold type** are key components for servicing purposes.

When ordering, please always specify the appliance model and serial number from the rating plate. Further spare parts on request.

CLAGE GmbH
 Pirolweg 1–5, 21337 Lüneburg
 P.O. Box 1680, 21306 Lüneburg
 Fon: +49 (0)4131·8901-38
 Fax: +49 (0)4131·83200

Service:
 Fon: +49 (0)4131·8901-40
 Fax: +49 (0)4131·8901-41
 E-mail: service@clage.de
 Internet: www.clage.com