

Hot-air hand dryer WHT



Electric hot-air hand dryer for economically and hygienically drying hands in highly frequented sanitary rooms. The "no touch" appliance switches on automatically via infrared electronic proximity switches as soon as hands approach it and switches off immediately as soon as the hands withdraw. Optimum air guidance and the heating bars ensure excellent energy utilization and low noise levels.



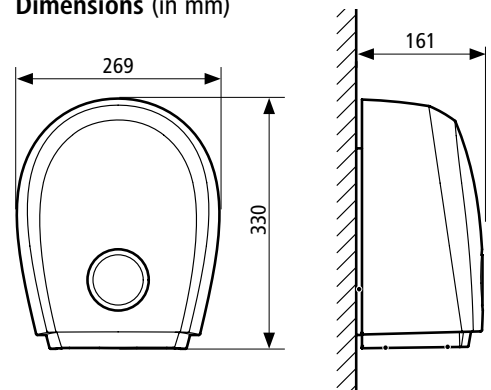
Description

- Deluxe hot-air hand dryer
- Switches on and off without touching
- High impact resistant ABS housing and maintenance-free motor for long lifetime
- Extremely economical operation
- Safety cut-out after 4 minutes of continuous duty (e.g. chewing gum vandalism)
- Proof against vandalism and theft
- Vacuumable air inflow grid
- Simple and easy-to-service installation through integrated mounting plate, flush mounted installation

Use

- Sanitary rooms in administration, public authorities, industry, hotels and restaurants, as well as sports facilities

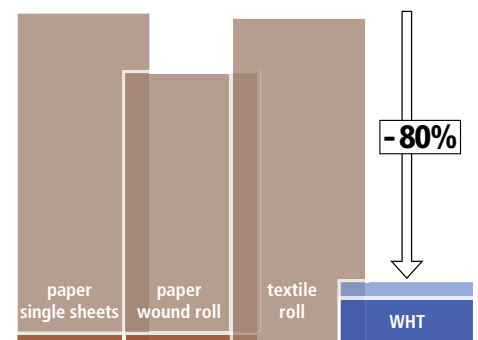
Dimensions (in mm)



Recommended space from the floor to the bottom of the unit: approximately 1100 mm

Type	WHT
Article no.	70200
Colour	white RAL 9010
Power rating	1,8 kW / 230 V ~
Rated current	8 A
Heating power	1700 Watt
Motor rating	100 Watt
Sound	69 dB
Air stream	38 l/sec
Relative drying time	approx. 23 sec
Weight	3,5 kg
Type of protection as per VDE	IP 23
Safety marks	

Cost comparison: Drying systems in highly frequented sanitary rooms



(Source: IPI Institute for Product Research and Information GmbH, Esslingen, Report No. 5051-07, 2007)

Sample text for specification

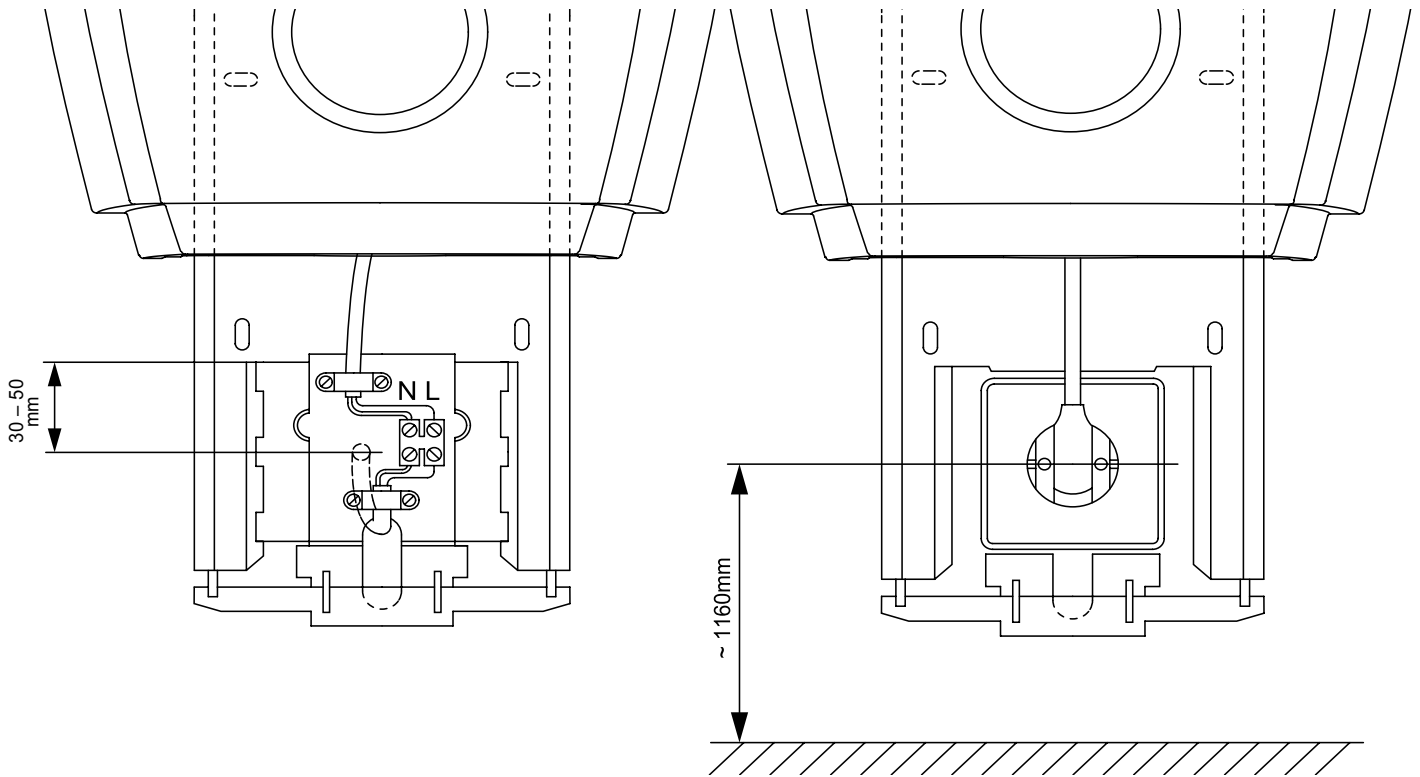
Delivery and installation of ... ea. electric "no touch" hot-air dryer for hygienically switching on and off via infrared proximity switches, wall-mounted appliance with plug-in safety power connection, sensor safety cutout, type WHT, power rating: 1.8 kW 230 V.

CLAGE GmbH, P.O. Box 1680, 21306 Lüneburg, Germany
 Fon +49 (0) 41 31 · 89 01-38, Fax +49 (0) 41 31 · 244 47 71
 E-Mail export@clage.de, Internet www.clage.com

Hot-air hand dryer WHT

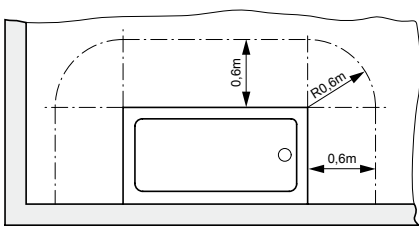
Mounting for surface or concealed wire

Mounting over an installed, flush socket.

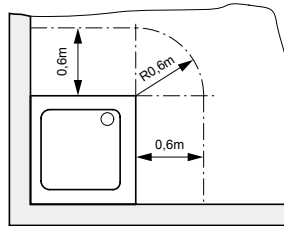


In rooms with showers and bathtubs the appliance must not be installed within the safety areas set forth in the VDE-provisions (0.6 m from the edge of shower or bathtubs and 1.2 m from showerheads).

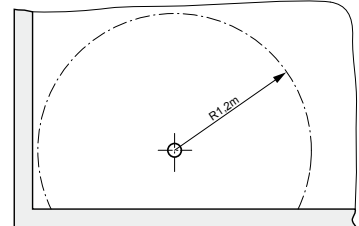
Bath tub



Shower



Shower head



Assembly and operating instructions are to be observed upon installation.