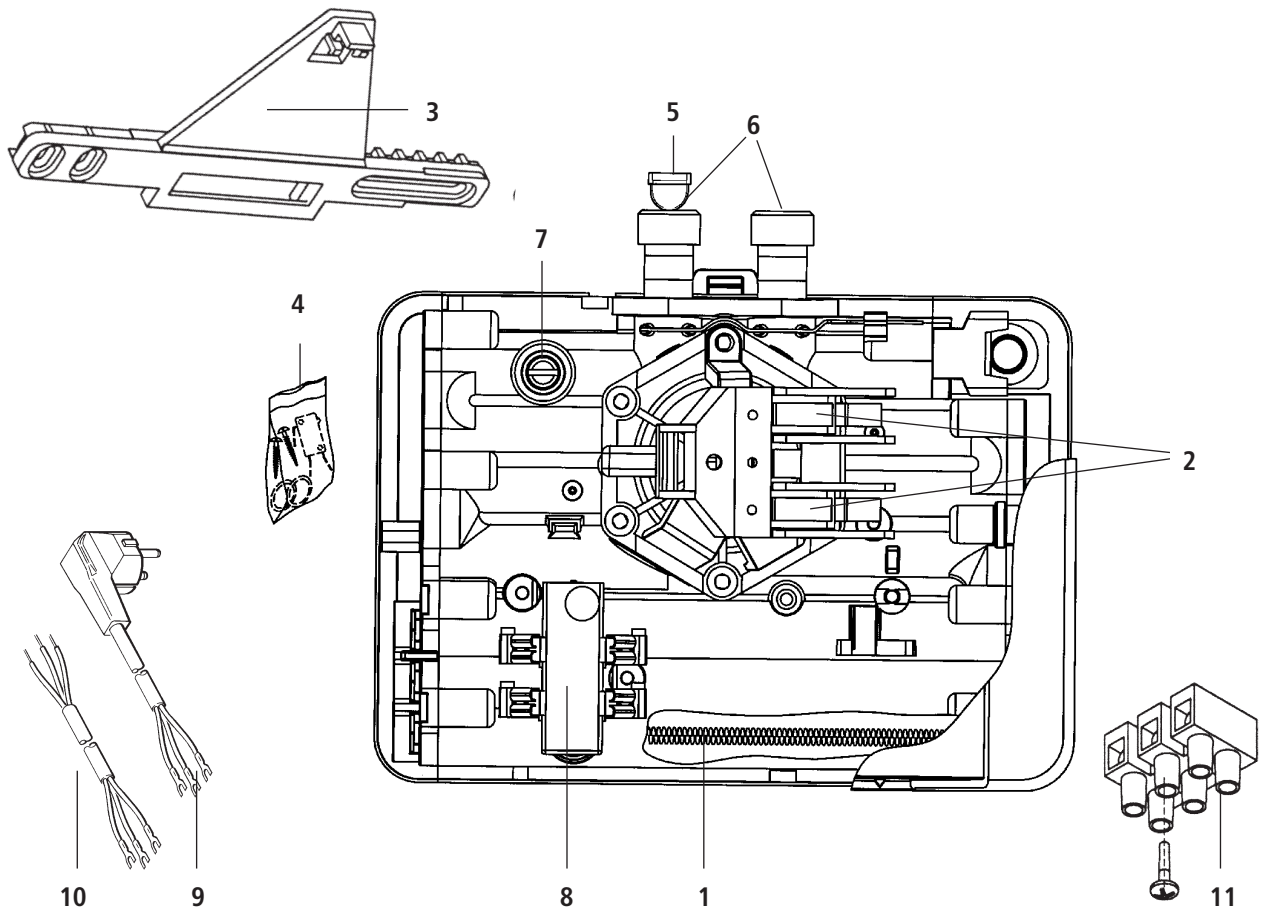


# Spare Part Price List MH 3..7 and MDH 3..7

## Small instant water heater, hydraulically controlled



Pos.	Art.-No.	Description	EUR*	Pos.	Art.-No.	Description	EUR*
1	80324	MH 3 / MDH 3 heating spirals 3.5 kW / 230 V	20.00	8	80427	MDH safety thermal cut-out incl. exchange instruction, contact nipples, seals (mounted and greased), heat conductor paste, rubber disc and screws	25.00
	80326	MH 4 / MDH 4 heating spirals 4.4 kW / 230 V	20.00	9	80373	MH 3 / MDH 3 mains cable with earthed plug, cable seal, strain relief with screws	10.00
	80327	MH 6 / MDH 6 heating spirals 2x 2.85 kW / 230 V	25.00	10	80382	MH 4..7 / MDH 4..7 mains cable (without plug), cable seal, strain relief with screws	10.00
	80328	MH 7 / MDH 7 heating spirals 2x 3.25 kW / 400 V	25.00	11	80120	MH / MDH 3pole connection terminal 230 V	4.00
2	80329	MH 3..6 / MDH 3..6 microswitch set	14.00		80125	MH / MDH 3pole connection terminal 400 V	4.00
	80325	MH 7 / MDH 7 microswitch set	14.00	12	80390	MH / MDH manual, multilingual set	0.00
3	80352	MH / MDH fixing set (wall bracket with screws and dowels)	8.00	13	80694	MH front cover undersink	13.00
4	80353	MH / MDH set of small spare parts incl. seals, nozzle for cable entry, strip of thermoplastic connectors, installation grease, screws, wheel nut & discs	12.00		80695	MH front cover oversink	13.00
5	80080	MH / MDH filter sieve (fine filter)	3.00		80696	MDH front cover	13.00
6	80354	MH / MDH water connection set incl. two water connectors and seals (mounted and greased), fastening earth clip and filter sieve	14.00				
7	80372	MH/MDH flow adjustment screw with seal 3.5/4.4 kW	6.00				
	803721	MH/MDH flow adjustment screw with seal 5.7/6.5 kW	6.00				

When ordering, please always specify the appliance model and serial number from the rating plate. Further spare parts on request.

\* Euro gross prices excl. VAT. Subject to change without notice. GP 03/06

CLAGE GmbH  
 Pirolweg 1-5, D-21337 Lüneburg  
 P.O. Box 1680, D-21306 Lüneburg  
 Fon: +49 (0)41 31 - 89 01-0  
 Fax: +49 (0)41 31 - 83200  
 E-mail: export@clage.de

Service:  
 Fon: +49 (0)41 31 - 89 01-40  
 Fax: +49 (0)41 31 - 89 01-41  
 E-mail: service@clage.de  
 Internet: www.clage.de