

## Electric shower M4../BGS



Small electric instantaneous water heater with mixer as an economical means of supplying hot water between approx. 35 °C and 45 °C to a single shower. The water is heated directly as it flows through the heater, thus eliminating all heat losses and ensuring that hot water is immediately available. The shower is supplied complete with shower set and wall rail. The specially designed handset is perfectly adapted to the economical flow rate of less than 4 l/min.



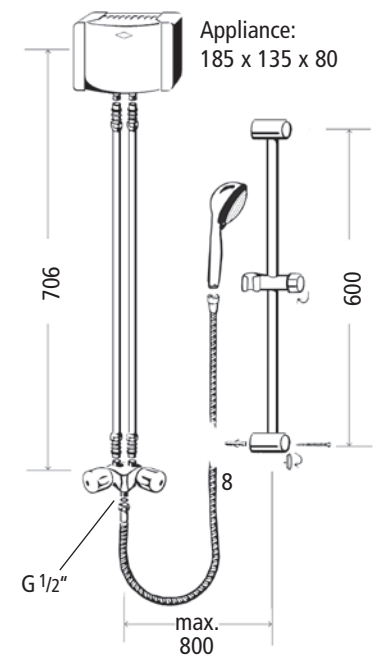
### Description




- Small instantaneous water heater with shower mixer (open-outlet design), shower set and wall rail
- Effective, easy-to-service bare wire heating system IES®
- Immediate supply of hot water without preheating and without loss of heat
- Handset with scale-inhibiting insert

### Use

- Solitary showers, e.g. in guest rooms, attic or basement rooms, garden houses or beside the swimming pool

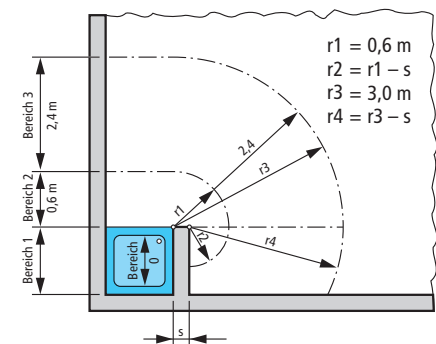
### Dimensions (in mm)



Type	M4/BGS	M6/BGS	M7/BGS
Article No.	14304	14306	14307
Content; design	0.2 litres; open-outlet (pressureless)		
Heating system	bare wire heating system		
Use (specific water resistance)	≥ 800 Ω cm at 15 °C		
Power rating at 1/N/PE 230 V~	4.4 kW*	5.7 kW*	–
Power rating at 2/PE 400 V~	–	–	6.5 kW*
Rated current	19 A	25 A	16 A
Hot water output at Δt = 25 K (from 15 °C to 40 °C) in l/min	2.6	3.3	3.7
Temperature range	max. approx. 50 °C at reduced flow rate		
Switch on / off flow rate l/min	1,8 / 1,4	2,1 / 1,7	2,4 / 2,0
Min. flow pressure	0.08 MPa	0.08 MPa	0.09 MPa
Weight with water	1.2 kg (appliance)		
Type of protection, safety mark	IP25   		

### Zoning for showers

according to VDE 0100



The instantaneous water heater for the type M../BGS shower is protected by an IP25 housing and may be installed in protective zone 1 according to VDE 0100 Part 701.

### Sample text for specification

Delivery and installation of ... ea. electric shower, hydraulically controlled, open-outlet design with replaceable bare wire heating cartridge, complete with open-outlet shower mixer including shower set, type M../BGS, rated connection: ... \* kW ... \* V.