

## Instantaneous water heater M3../SMB



Small electric instantaneous water heater with mixer as an economical means of supplying hot water between approx. 35 °C and 50 °C to a solitary wash basin. The water is heated directly as it flows through the heater, thus eliminating all heat losses and ensuring that hot water is immediately available. Thanks to the high-grade special mixer, the appliance can easily be connected to a G 1/2" water connection.



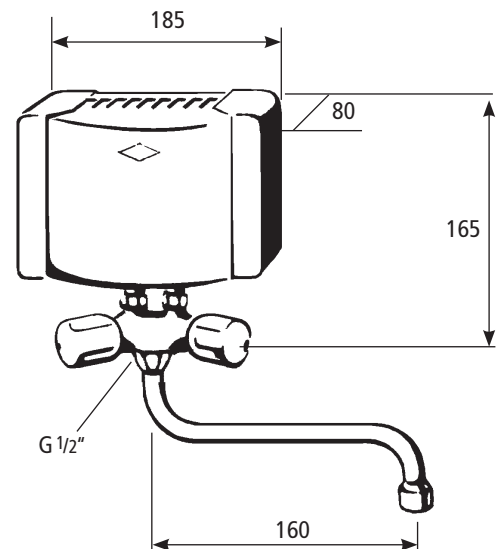
### Description

- Small instantaneous water heater with special mixer (open-outlet design) and a 16 cm swivel spout for above-table installation
- Effective, easy-to-service bare wire heating system IES®
- Immediate supply of hot water without preheating and without loss of heat
- Mains power cable approx. 65 cm long (only M3/SMB with standard European plug)

### Use

- Solitary points of use, such as a wash basin or kitchen sink
- The maximum possible power rating (M7/SMB) should be selected for installation at a sink





### Dimensions (in mm)



### Accessories:

Additional swivel spouts are available as extra accessories and can be ordered under following reference:

LS 12	art. no. 00520	length 12 cm
LS 20	art. no. 00540	length 20 cm
LS 30	art. no. 00550	length 30 cm

Type	M3/SMB	M4/SMB	M7/SMB
Article No.	14103	14104	14107
Content; design	0.2 litres; open-outlet (pressureless)		
Heating system	bare wire heating system		
Use (specific water resistance)	≥ 800 Ωcm at 15 °C		
Power rating at 1/N/PE 230 V~	3.5 kW*	4.4 kW*	–
Power rating at 2/PE 400 V~	–	–	6.5 kW*
Rated current	15 A	19 A	16 A
Hot water output at Δt = 25K (from 15 °C to 40 °C) in l/min	2.0	2.6	3.7
Temperature range	max. approx. 50 °C at reduced flow rate		
Switch on / off flow rate l/min	1,6 / 1,2	1,8 / 1,4	2,4 / 2,0
Min. flow pressure	0.05 MPa	0.08 MPa	0.09 MPa
Weight with water	1.2 kg (appliance)		
Type of protection, safety mark	IP25    		

### Sample text for specification

Delivery and installation of ... ea. small electric instantaneous water heaters, hydraulically controlled, open-outlet design with replaceable bare wire heating cartridge, complete with open-outlet above-table mixer including special jet regulator, type M../SMB, rated connection: ... \* kW ... \* V.