

Instantaneous water heater DBX



Electronically controlled instantaneous water heater for supplying hot water to one or more points of use. The electronic automatically adjusts the power consumption according to the inlet temperature and the flow rate in order to stabilise the outlet temperature. The factory pre-set outlet temperature is 50 °C and can be mixed with cold water via the external sanitary tap. The outlet temperature can be modified inside the heater between 30 °C and 60 °C. The appliance is designed for easy installation and can be fitted quickly and easily, even in case of replacement.



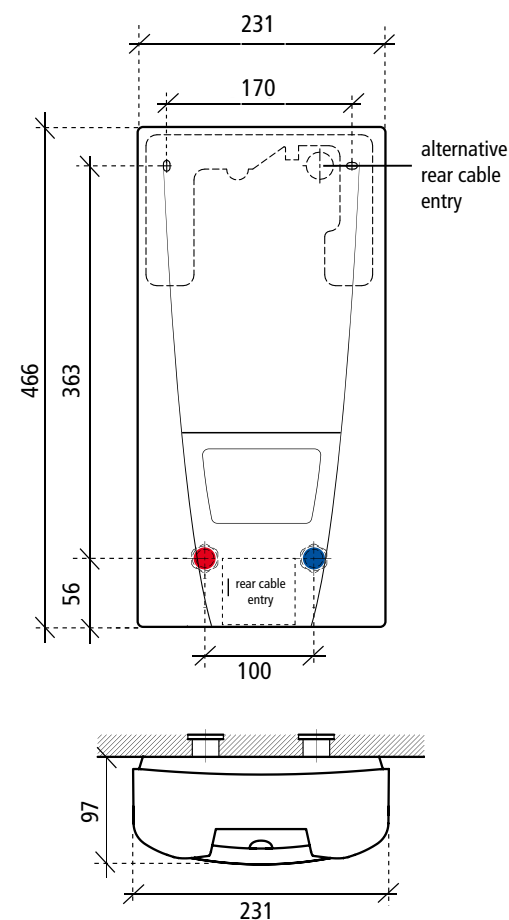
Description




- Electronically controlled three-phase instantaneous water heater with bare wire heating system IES®
- Power is automatically adjusted to the flow rate and the inlet temperature
- Factory pre-set outlet temperature of 50 °C, internally adjustable
- Attractive, very slim design
- Electronic safety system with temperature and pressure cutoff
- Easy installation with variable connection possibilities

Use

- Singlepoint or multipoint use, e.g. bath, shower, sink or wash basin

Dimensions (in mm)



Type	DBX 18	DBX 21	DBX 24	DBX 27
Article No.	34118	34121	34124	34127
Content; design (nominal pressure)	0,4 litres; closed-outlet ¹ (10 bar / 1MPa)			
Required electrical conductivity	≤ 76 mS/m at 15 °C			
Required specific water resistance	≥ 1300 Ωcm at 15 °C			
Min. – max. flow rate (l/min)	2.5 – 7.0 ²	2.5 – 8.0 ²	2.5 – 8.0 ²	2.5 – 9.0 ²
Power rating at 3/PE 400 V~	18 kW	21 kW	24 kW	27 kW
Rated current	26 A	30 A	35 A	39 A
Min. required cable size (mm ²)	4.0	4.0	6.0 ³	6.0
Hot water flow rate at Δt = 28 K (from 12 °C to 40 °C) in l/min	9.2	10.7	12.3	13.8
Outlet temperature	50 °C, adjustable from approx. 30–60 °C			
Maximum inlet temperature	30 °C			
Weight with water	3.65 kg			
Type of protection, safety mark	IP25    CE CCC			

¹ Appropriate for open-outlet installation

² Limited flow in order to achieve optimal temperature rise

³ The 4 mm² cable can be reused when replacing a 21 kW / 380 V appliance.

^m Blended water

Sample text for specification

Delivery and installation of ... pcs electronically controlled instantaneous water heater for hot water supply, bare-element heating system, Type DBX..., power rating ... kW 3/PE 400 V, supply, installation and putting into operation.

CLAGE GmbH, P.O. Box 16 80, D-21306 Lüneburg
Fon +49 (0) 41 31 - 89 01 - 38, Fax +49 (0) 41 31 - 83 200
E-Mail export@clage.de, Internet www.clage.de

