

E-mini instant water heater M/SMB



Application areas

Single point supply:

- > Washbasin
- > Sanitary facilities in commercial buildings
- > Kitchen sink (M4/SMB or M7/SMB)
- > Disposal sink (M7/SMB)










E-mini instant water heater

M/SMB

Product information



Energy efficiency class A (Scale: A+ to F)			 
	M 3 / SMB	M 4 / SMB	M 7 / SMB
Part number:	1500-17103	1500-17104	1500-17107
Type:	open-outlet		
Water connections instant water heater (thread connections):	G 3/8"		
Water connections tap (thread connections):	G 1/2"		
Hot water output at $\Delta t = 25\text{ K}$ ¹⁾ [l/min]:	2.0	2.5	3.7
Switch-on flow rate / max. flow rate ²⁾ [l/min]:	1.3 / 2.0	1.8 / 2.5	2.4 / 3.7
Nominal power rating [kW]:	3.5	4.4	6.5
Supply voltage [1~ / N / PE 230 V AC]:	 with plug ³⁾	 permanent connection	
Supply voltage [2~ / PE 400 V AC]:			 permanent connection
Nominal current [A]:	15	19	16
Required cable diameter [mm ²]:	1.5	2.5	2.5
Bare wire heating system IES [®] :	✓		
VDE approved / Protection class:	✓ / IP 25		
Specific water resistance at 15 °C [Ωcm] \geq :	1100		
Nominal volume [litres]:	0.2		
Weight filled with water [kg]:	approx. 1.5		
Dimensions (height × width × depth) [cm]:	13.5 × 18.6 × 8.7		

1) Temperature increase e.g. from 15 °C to 40 °C 2) Limited flow amount for optimal temperature increase. Can be adjusted via water amount adjustment. 3) Also available as M 3 (E) / SMB [part no.: 1500-171032] with power supply cable for permanent connection.

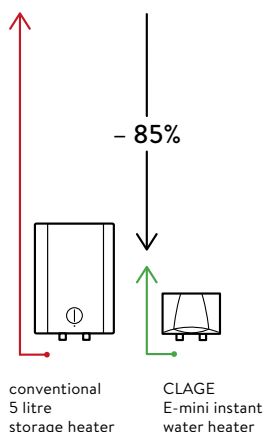
Description

- > Hydraulically controlled instant water heater (oversink model) with compact design for the energy-efficient hot water supply of a washbasin or disposal sink with vented two-handle mixer tap and 16 cm swivel spout
- > The full heating capacity turns on automatically as soon as water flows through the unit
- > Efficient flow technology for an optimum water jet and economical water consumption
- > The efficient bare wire heating system IES[®] with replaceable heating cartridge provides an extended service life and easy maintenance
- > Set is easy to install on an 1/2" water supply. Power cable is 60 cm long.
- > Ready to use, vented design
- > Aerator insert for tap adapter M 22/24 at the tap is included

Profitability comparison (Source: www.clage.com)

Saves up to 85 % energy compared to conventional small storage heaters.

The E-compact instant water heater features an economical operation. The water is heated directly as it flows through the unit. Hot water is not stored in a tank, which saves standby energy that would be otherwise required.



E-mini instant water heater

M/SMB

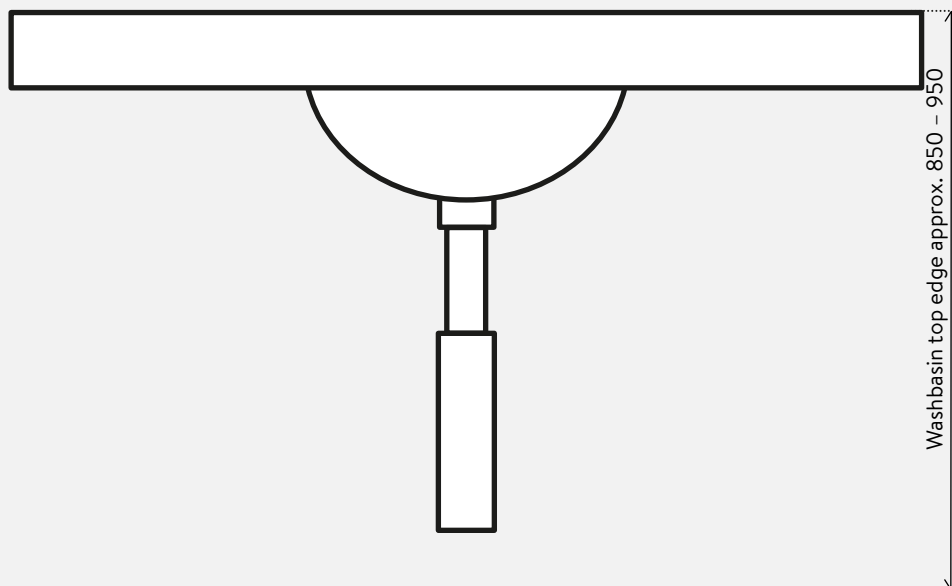
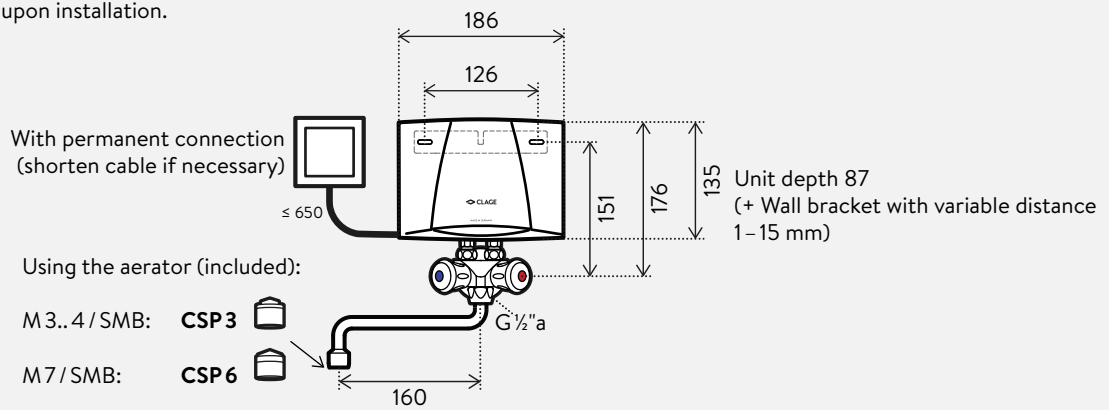
Installation



Sample installation (open-outlet)

Measurements in mm

Assembly and operating instructions must be observed upon installation.



E-mini instant water heater

M/SMB

Accessories



Aerator CSP 3 or CSP 6 (included)

The aerator at the tap supports the energy- and water-saving operation of the compact instant water heater. The new special CSP aerators mix air into the water and thus create a uniform water stream that does not splatter but softly cascades down.

Aerator insert for tap adapter M22/24 at the tap

CSP 3 (< 2 l / min): Part no. 0010-00421

CSP 6 (< 3.5 l / min): Part no. 0010-00461



LS (optional)

Swivel spout 12 / 20 / 30 cm with screw connection M 22

LS 12 (12 cm): Part no. 0010-0052

LS 20 (20 cm): Part no. 0010-0054

LS 30 (30 cm): Part no. 0010-0055