

Drinking water system Zip HydroTap® G4 B



Application areas

Drinking water supply for:

- > Domestic kitchens
- > Offices
- > Cafeterias / bistros
- > Restaurants / hotels




Drinking water system

Zip HydroTap® G4 B

Product information



boiling > G4 B 160

Part number:	4100-44578
Number of users:	< 50
Water connection (thread connection):	G ½" or G ¾" *
Rated pressure [bar]:	1.7 – 7.0
Boiling water temperature, adjustable [°C]:	68 – 100
Boiling water content [litres / cups ¹⁾]:	3 / 18
Boiling water capacity [cups ¹⁾ / h]:	160
Reheating time [cups ¹⁾ / min]:	2.6
Standby power consumption [kWh / 24h]:	0.50 ²⁾
Nominal power at voltage 1~ / N / PE 230 V AC [kW]:	1.9  with plug
Compact undersink unit [colour]:	white
Protection class:	IP20
Weight (filled) [kg]:	12
Dimensions (height × width × depth) [cm]:	33.5 × 28.0 × 31.3

*) Connection hose G ½" with supplied adapter G ¾" 1) Standard cup with 167 ml 2) At 12 hours in standby mode

Description

- > Undersink drinking water system, dispenses filtered, boiling hot water with the touch of a button
- > Touch display for menu navigation, for activating the energy saver modus and scalding protection as well as temperature setting of the water
- > Electronic temperature control
- > Easy-to-replace sub-micron particle filter cartridge with activated carbon filter, filters hazardous substances > 0.2 micron and improves the taste of water
- > Leakage protection system
- > Various electronic taps with safety function and button operation selectable

Let your Zip HydroTap® G4 B helps you!

- > Preparing tea and filtered coffee
- > Sterilising containers
- > Quickly preparing instant soups
- > Blanching
- > Peeling fruits and vegetables
- > Dissolving grease
- > Removing candle wax

Drinking water system

Zip HydroTap® G4 B

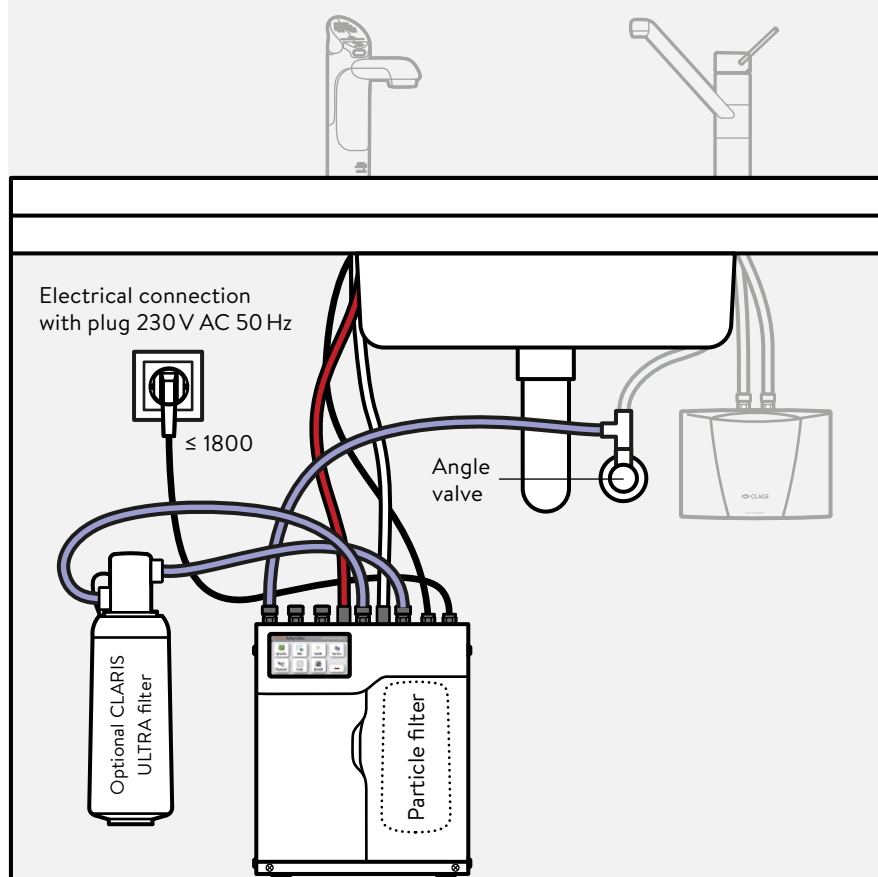
Installation



Daily user requirements and the available space in the cabinet below the selected special tap should be considered when selecting the appropriate model.

Measurements in mm

Assembly and operating instructions must be observed upon installation.



Unit dimensions:
(height × width × depth)

Zip HydroTap® G4 B 160
335 × 280 × 313 mm

Top clearance for undersink unit
(lower edge sink or drawers)
min. 200 mm

Right and left clearance for unit
min. 50 mm

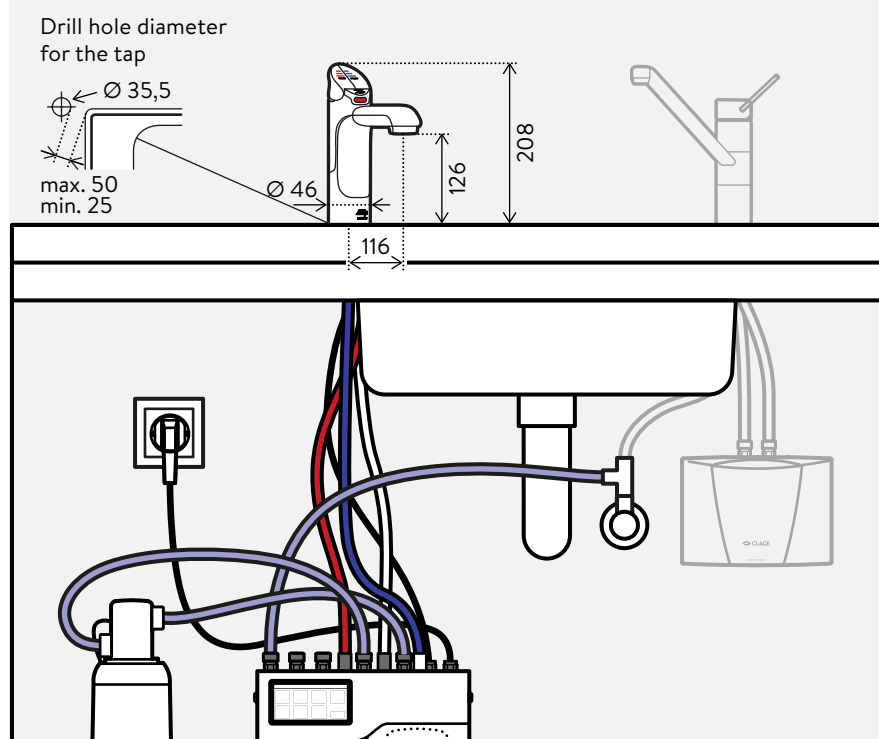
Drinking water system Zip HydroTap® G4 B Installation

Option 1: Armatur »Classic B«

Measurements in mm

For the operation of the drinking water system Zip HydroTap® G4 B you need a suitable tap, for example the tap »Classic B«.

Assembly and operating instructions must be observed upon installation.



Installation at the kitchen sink



Installation as stand-alone unit
with drainage front and extension KXTV.



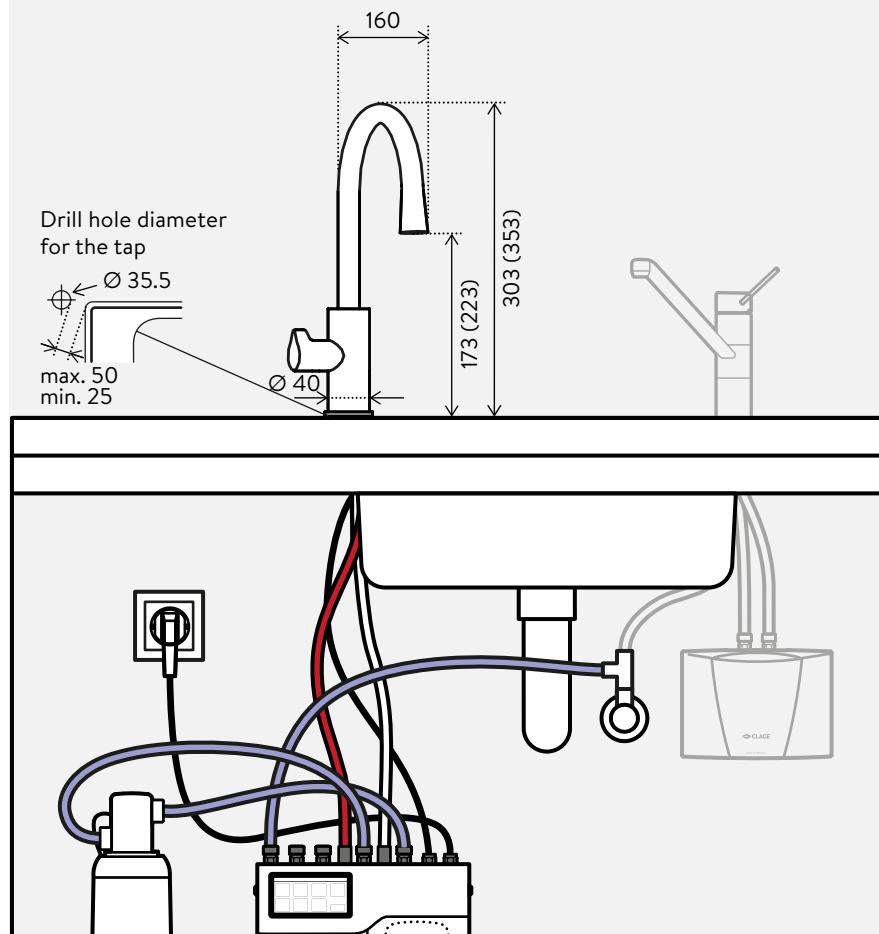
Drinking water system Zip HydroTap® G4 B Installation

Option 2: Tap »Arc B«

Measurements in mm

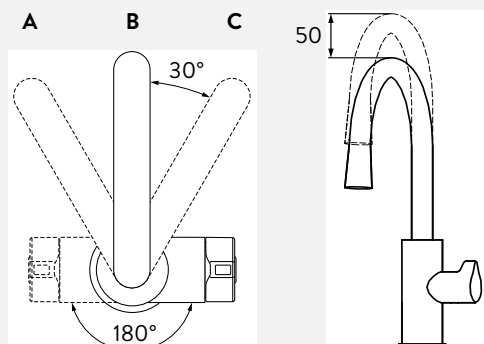
For the operation of the drinking water system Zip HydroTap® G4 B you need a suitable tap, for example the tap »Arc B«.

Assembly and operating instructions must be observed upon installation.

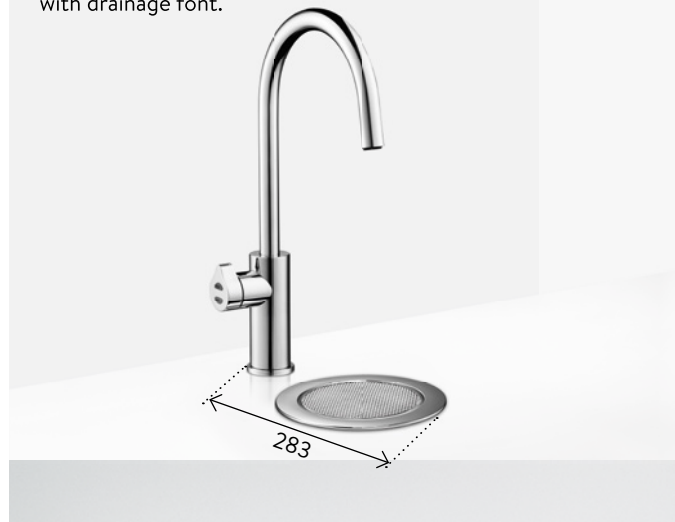


Flexible alignment

The Arc can be installed for left and right hand operation and the pipe outlet can be fixed at various angles and heights.



Installation as stand-alone unit with drainage front.



Drinking water system

Zip HydroTap® G4 B

Taps



Zip Classic B

Electronic dispensing tap for Zip HydroTap® B with operating keys at the top, function indicator, holding function for easy canister filling, fixed spout 12 cm, height 21 cm, drill hole with 35 mm diameter required.

Polished chrome	Classic B:	Part no. 4100-44512
Brushed chrome	Classic B:	Part no. 4100-44513
Matte black	Classic B:	Part no. 4100-44514



Zip Arc B

Electronic dispensing tap for Zip HydroTap® B with operating lever on the side, function indicator, holding function for easy canister filling, fixed spout 16 cm, height 35.3 cm, drill hole with 35 mm diameter required.

Polished chrome	Arc B:	Part no. 4100-44515
Brushed chrome	Arc B:	Part no. 4100-44516
Matte black	Arc B:	Part no. 4100-44517

Drinking water system

Zip HydroTap® G4 B

Accessories



KXF 2.1 (included)

Sub-micron particle filter cartridge filters contaminants > 0.2 microns and additionally improves the taste of the water.
For Zip HydroTap® G4 models since 02.2017.

KXF 2.1: Part no. 893702



KXV for Classic (optional)

The optional extension for raising the electronic dispensing tap Zip Classic by 10.7 cm.

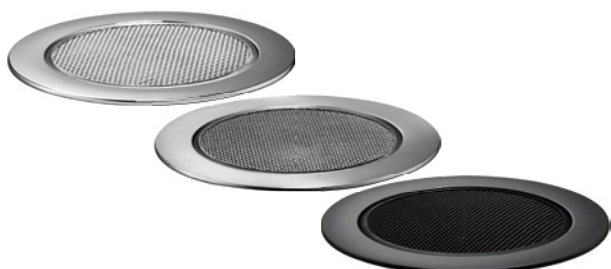
Polished chrome	KXV 10:	Part no. 4100-44102
Brushed chrome	KXV 20:	Part no. 4100-44160
Matte black	KXV 40:	Part no. 4100-44162



KXTV for Classic (optional)

The optional stainless steel font with drainage connection and extension allows for flexible installation of the electronic dispensing tap at any location away from the sink.

Polished chrome	KXTV 10:	Part no. 4100-44111
Brushed chrome	KXTV 20:	Part no. 4100-44113
Matte black	KXTV 40:	Part no. 4100-44116



KXTV for Arc (optional)

The optional stainless steel font with drainage connection allows for flexible installation of the electronic dispensing tap at any location away from the sink.

Polished chrome	KXTV 50:	Part no. 4100-44560
Brushed chrome	KXTV 60:	Part no. 4100-44561
Matte black	KXTV 70:	Part no. 4100-44562



Filter system CLARIS ULTRA for water softening (optional)

For hard, chalky water, the filter system CLARIS ULTRA is to be used (recommended from 10 °KH).

Filter head suitable for all CLARIS ULTRA-filter

Filter head Universal: Part no. 84519

Filter cartridge, capacity at 10 °KH 4.200 litre

CLARIS ULTRA 500: Part no. 84500

Filter cartridge, capacity at 10 °KH 8.500 litre

CLARIS ULTRA 1000: Part no. 84501

Filter cartridge, capacity at 10 °KH 20.000 litre

CLARIS ULTRA 2000: Part no. 84502