

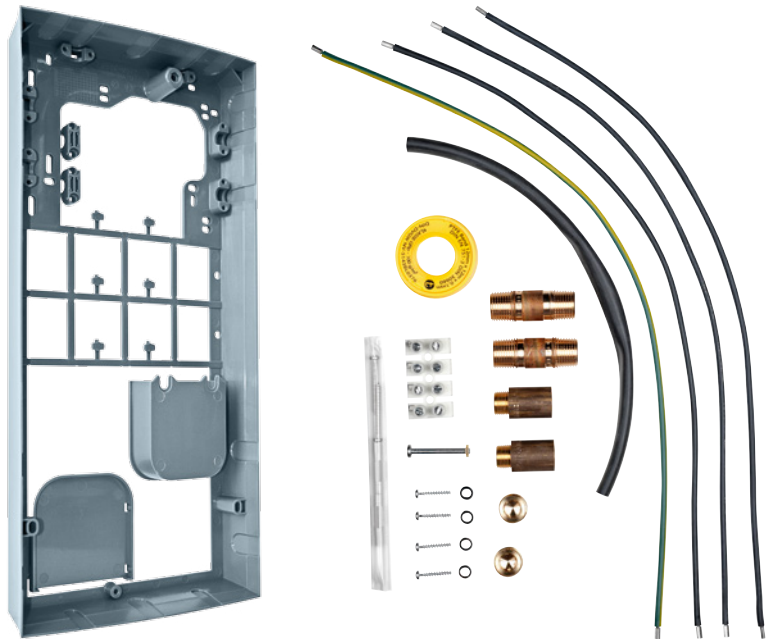
Basic mounting kit RDX



Application areas


Useful accessory for situations when an electronic instantaneous water heater can not be installed by default.

- > DSX / DSX Touch
- > DEX / DEX12
- > DCX
- > DLX
- > DBX



Basic mounting kit RDX



	 RDX
Part number:	3200-34100
Compatible to models:	DSX / DSX Touch DEX / DEX12 DCX DLX DBX
Scope of supply:	Frame for bottom part, 2 brass extension $\frac{3}{8}$ ", 2 distance-nipple $\frac{1}{2}$ " (brass), 2 dummy plug $\frac{1}{2}$ ", mounting kit with screws and dowels, set of wiring, 3pole connection terminal, rubber-chlorophene hose (32 cm), reel of teflon tape, connecting box manual
Assembly clearance to the wall [cm]:	3
Dimensions (height × width × depth) [cm]:	46.6 × 23.1 × 9.7
Protection class:	IP 24

Description RDX

- > Universal mounting frame with electric wiring und tap extensions for all E-instantaneous water heaters by CLAGE
- > For difficult installation conditions, for example, exchanging an instant water heater with different connections
- > Compensates for uneven tiles or wall irregularities
- > When using the kit, the electrical connection can be realized at any position behind the unit
- > Installation must be performed by a specialist

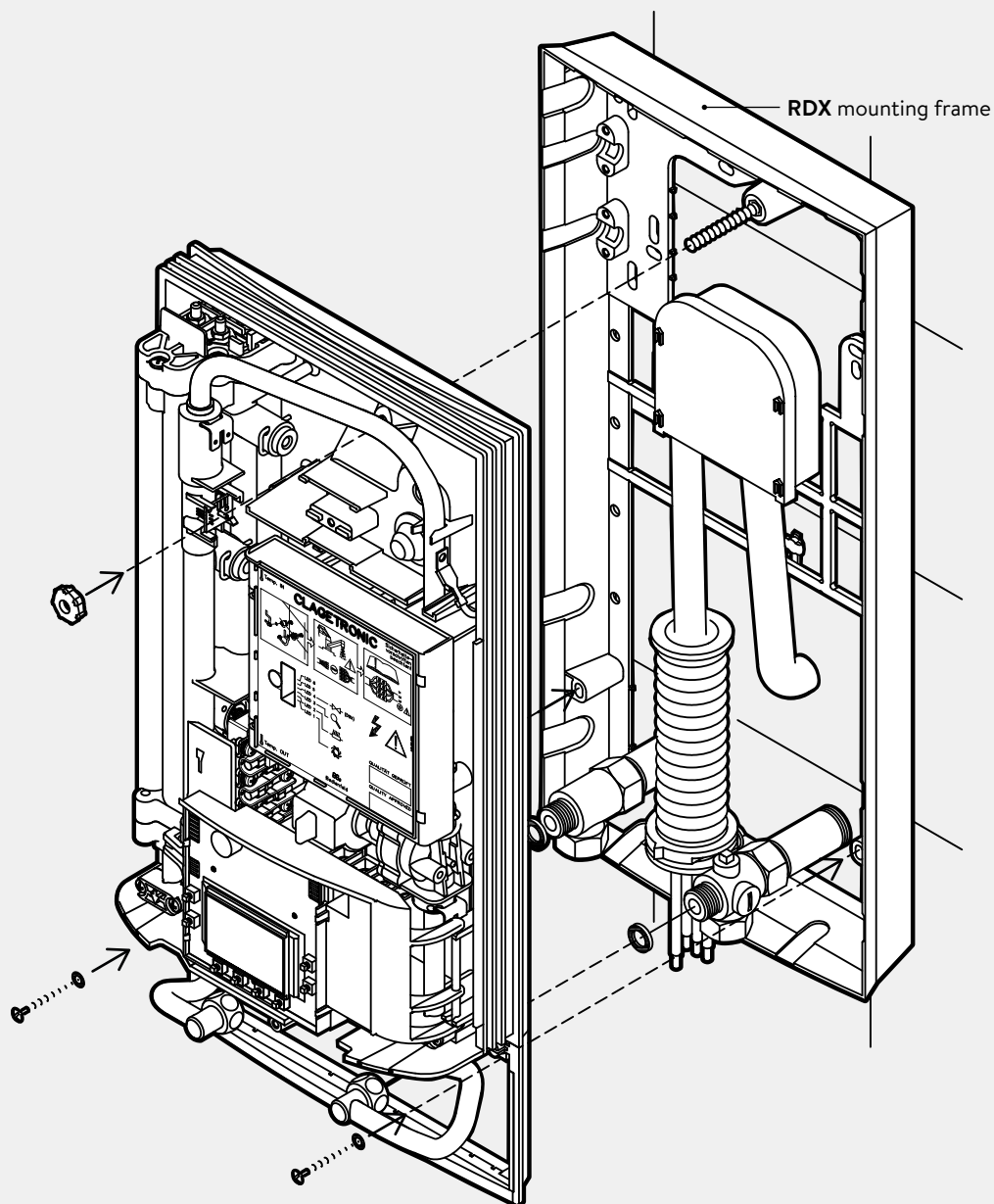
Extension kits for special cases:

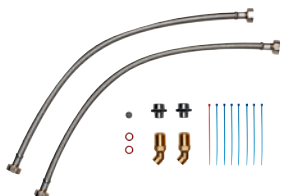
- > Extension kit for under-counter installation »UDX«
(see accessories page 4)
- > Extension kit for offset mounting »VDX«
(see accessories page 4)

Basic mounting kit RDX

Install unit on frame **RDX**.

Assembly and operating instructions
must be observed upon installation.

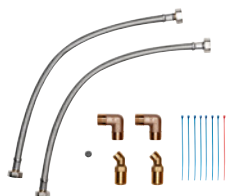




Extension kit UDX for under-counter installation (optional)

Pipe assembly for undersink installation with water connections, top flush-mounted G $\frac{3}{8}$ inch (basic mounting kit RDX required).

UDX: Part no. 3200-34110



Extension kit VDX for offset mounting (optional)

Pipe assembly for offset installation or reversed water connections when exchanging gas water heaters (basic mounting kit RDX required).

VDX: Part no. 3200-34120