

30 litres storage water heater S30



Application areas

Single or multiple point supply:

> Shower



> Shower and washbasin



30 litres storage water heater S30



Product information

Energy efficiency class  (Scale: A+ to F) S30	
Part number:	4100-43800
Content [litres]:	30
Type; maximum operating pressure [MPa (bar)]:	unvented; 0.6 (6)
Water connections (thread connections):	G ½"
Temperature range [°C]:	≤ 75
approx. mixed water amount 40 °C ¹⁾ [litres]:	60
Nominal power rating (kW):	2.0
Power supply [V]:	1~ / N / PE 230 V AC
Heating time $\Delta t = 45 \text{ K}$ ²⁾ [min]:	50
Standby power consumption at 65 °C [kWh / 24h]:	0.85
Internal tank:	Steel with special-enamelling
Function indicator:	✓
Single circuit operation:	✓
Protection class:	IP 25D
Dimensions (height × width × depth) [cm]:	56.4 × 37.5 × 37
Power cable:	 with plug
approx. weight filled with water [kg]:	44

1) At a cold water temperature of 15 °C and a storage content temperature of 65 °C 2) Temperature increase e.g. from 15 °C to 60 °C

Description

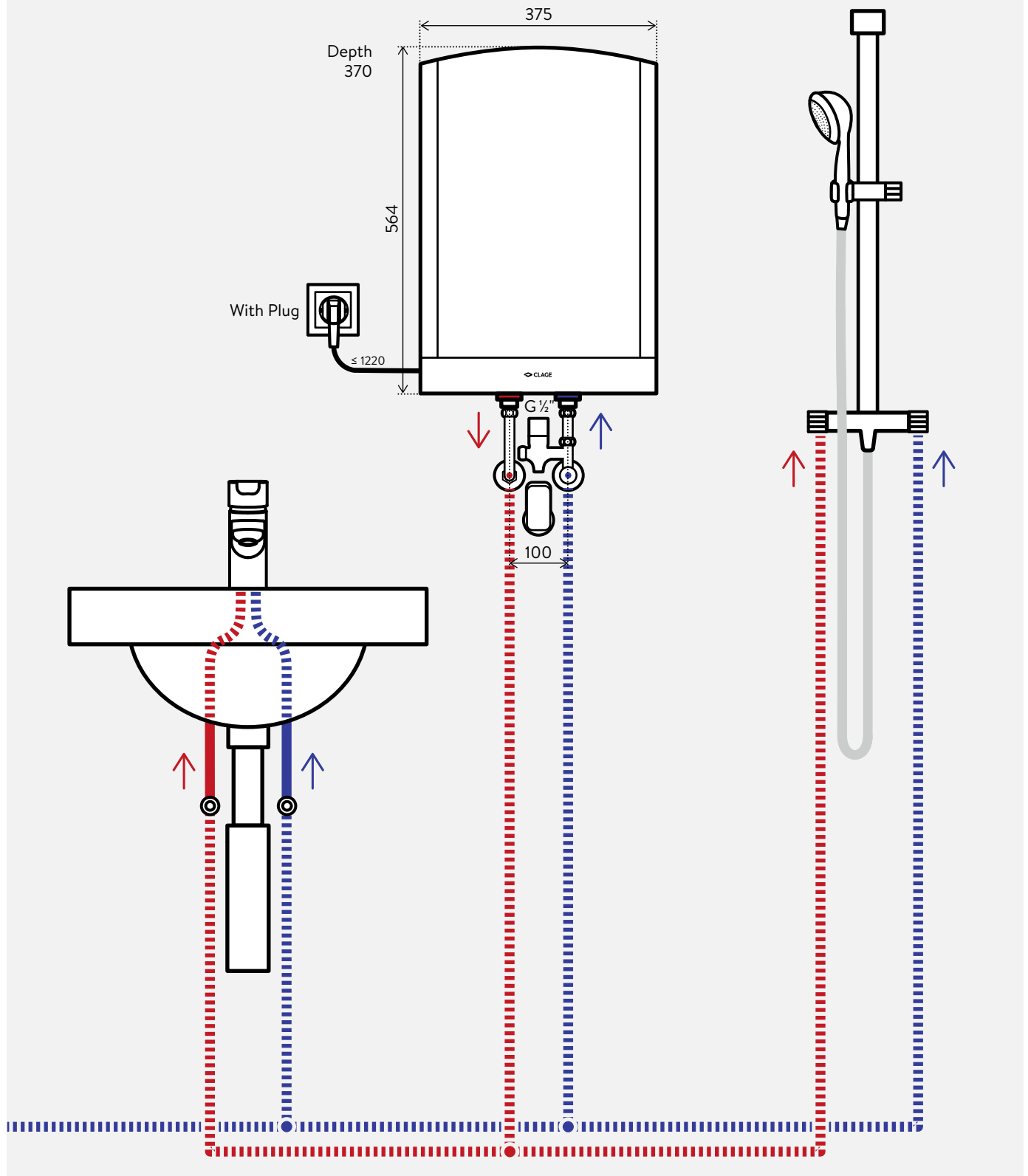
- > Unvented 30 litre storage water heater for hot water supply at one or multiple points-of-use
- > Special-enamelled internal tank
- > Thermostat with overheating protection
- > Infinitely variable thermostat up to 75 °C
- > Corrosion protection by special enamelling and magnesium protective anode
- > PU hard foam insulation
- > Splash protection IP 25D
- > Connecting cable with protective contact plug (~122 cm)

30 litres storage water heater S30 Installation



Assembly and operating instructions must be observed upon installation.

Dimensions in mm



30 litres storage water heater

S30

Accessories



SG (optional)

Oversink safety assembly (6 bar) for closed outlet installation

SG: Part no. 4100-0011



SGM (optional)

Oversink safety assembly (6 bar) for closed outlet installation
with pressure-reducing valve up to 10 bar

SGM: Part no. 4100-0012